

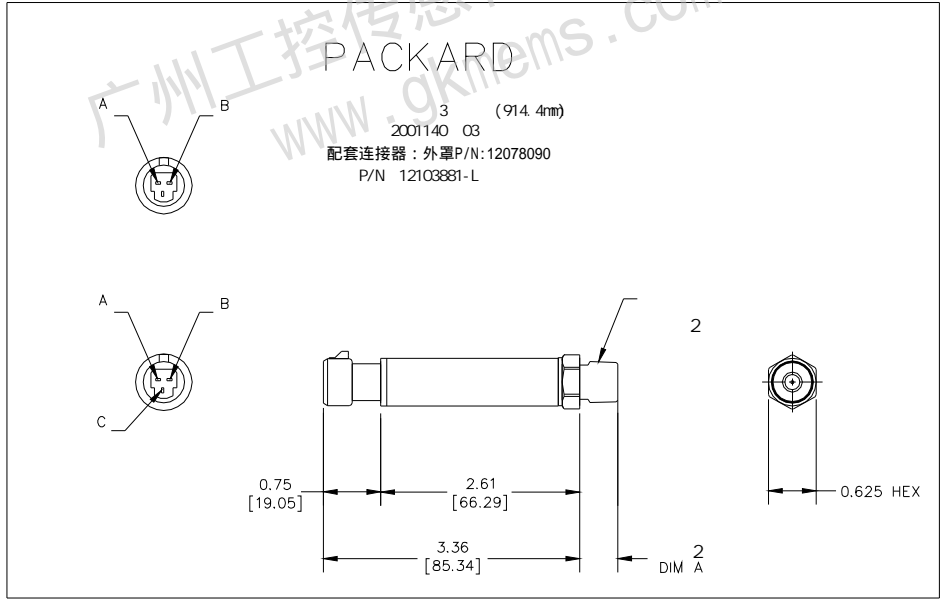
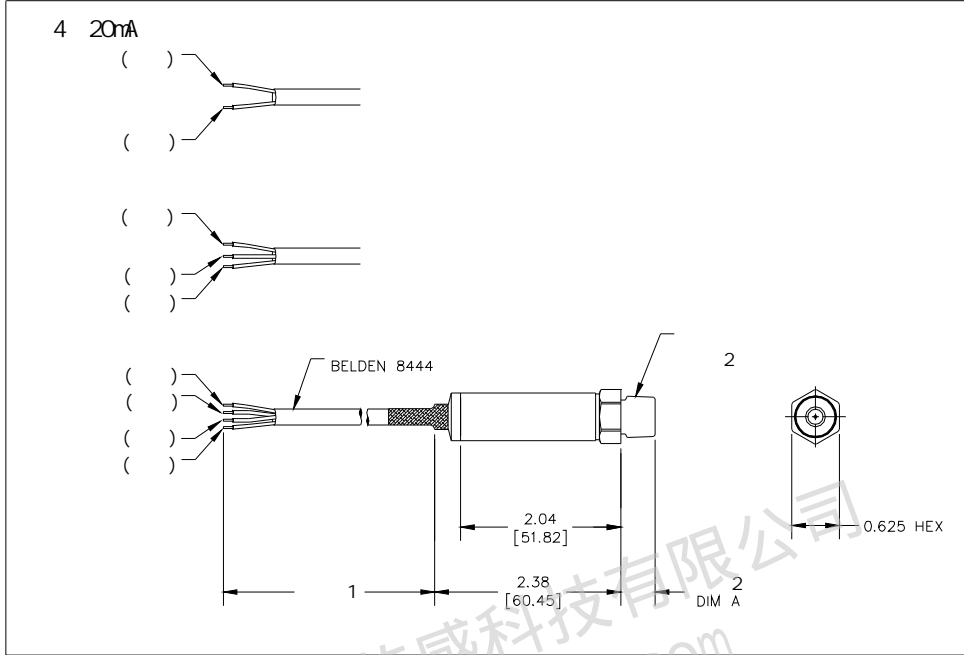
US300

5Vdc
25 ()

	-1	±0.5	1	%Span	1
	-1	±0.5	1	%Span	1,2
()	-0.15	±0.1	0.15	%Span	2,3
(0 100mV)	4	12	30	kΩ	1
	-1.5	±0.75	1.5	%Span	4
	-1.5	±0.75	1.5	%Span	4
(0 100mV)		1	2	mA	
(0.5 4.5V 1 5V)	2.5	3	5	mA	
(1)	-0.1		0.1	%Span	
(-3dB)			1	kHz	
	-20		+85	°C	
	-40		+105	°C	
	-40		+125	°C	
	3X			Rated	
	4X			Rated	
	±20			g	5
(11nS)	100			g	6
()	1			Million	
	50			MΩ	
				grams	
	316L				
	IP67()				

- 1.
- 2 mV (10mV/V)
- 3
- 4 1K Psi 0 25%
- 5 ML STD 810C 514.2 514.2 2 L
- 6 1/2 MIL STD 202F 213B A

()
()



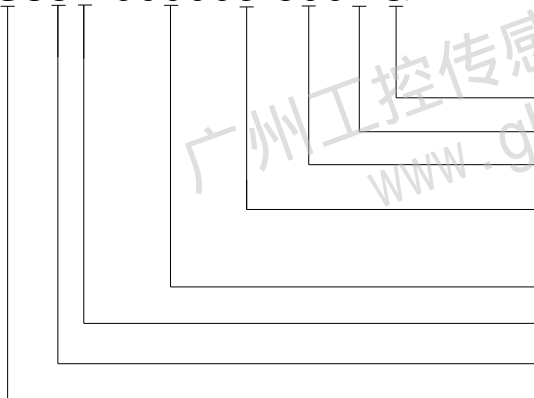
				DIM A
1	2	2	1/4 BSP	0.45 [11.43]
2	4	4	7/16-20 MALE O-RING	0.33 [8.38]
3	10	5	1/4 NPT	0.50 [12.7]
4	PACKARD	6	1/8 NPT	0.475 [12.07]

US300

		(V)		
2	0 – 100 mV (ratiometric)	2.5	5	12
3	0.5 – 4.5 V (ratiometric)	4.75	5	5.25
4	1 – 5 V	8		30
8	4 – 20 mA	9		30
Packard	nV			

2	0 – 100 mV (ratiometric)			
3	0.5 – 4.5 V (ratiometric)	/ A	/ B	/ C
4	1 – 5 V	/ A	/ B	/ C
8	4–20mA	/ A	/ B	

US381-000005-500PG



(A G)
 (P Psi B Bar)
 (300 300 05K 5000 3.5=3.5)
 (2 1/4 19BSP 4 7/16-20UNF 5 1/4 18NPT
 6 1/8-27NPT)
 (nnnnn)
 (1 2 2 4 4 Packard)
 (2 0 100nV 3 0.5 4.5V, 4 1 5V 8 4 20nA)

广州工控传感科技有限公司

电话：400-822-6658

邮箱：gzgk@foxmail.com

网址：www.gkmems.com

地址：广州市天河区珠江西路15号16层